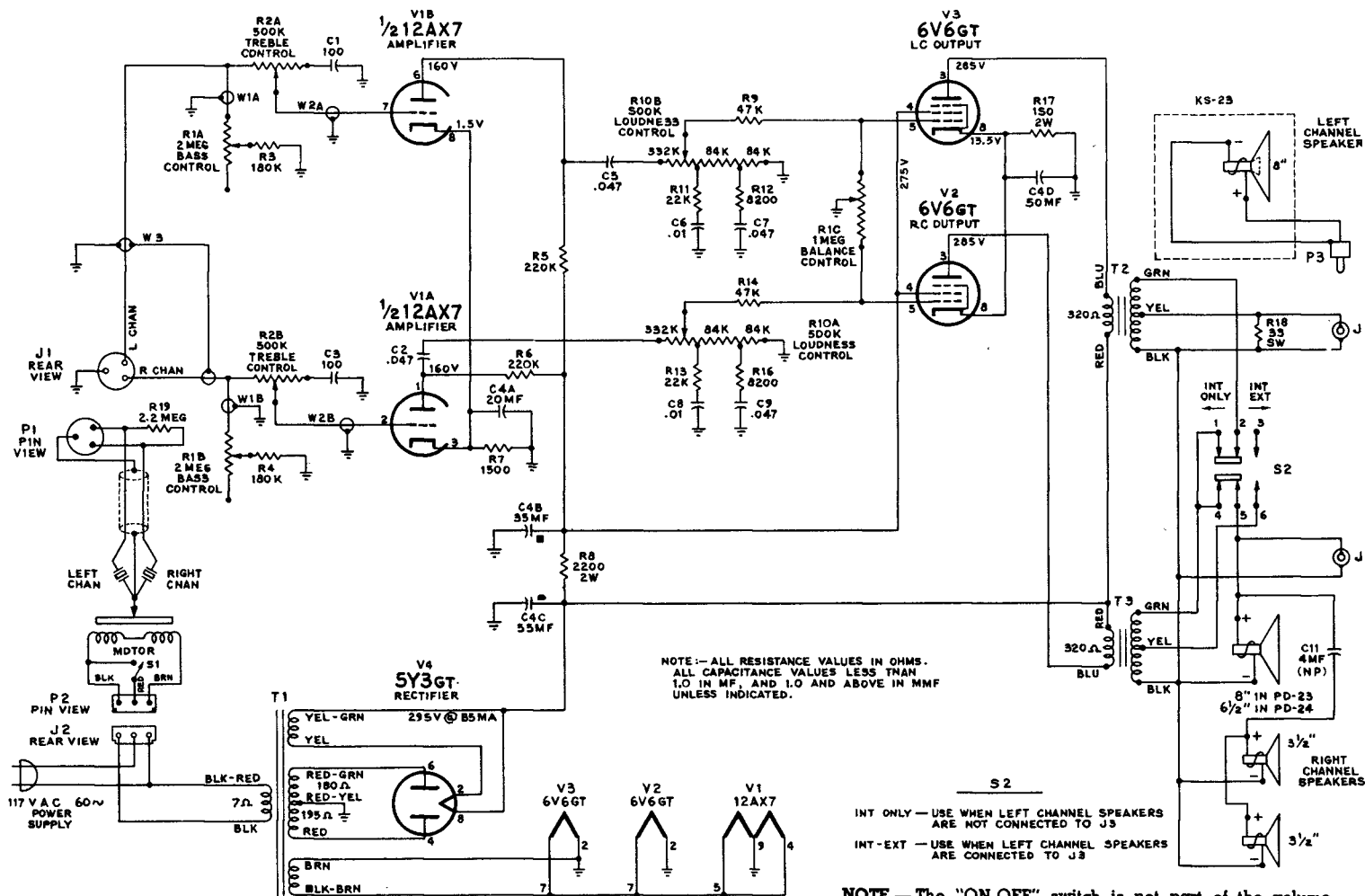


RCA MODELS PD-23, PD-24

Chassis No. RS-178

Companion Speaker Unit
MODEL KS-23

Model PM-23D, Chassis RS-178X, is similar, but has left and right internal speakers



ACCESS TO TUBES AND CHASSIS

Model PD-23

The rear of this cabinet is open allowing free access to the tubes and chassis.

Model PD-24

Access is possible either by removing the bottom of the cabinet or by removing the screws at the edges of the record changer motorboard and lifting the changer.